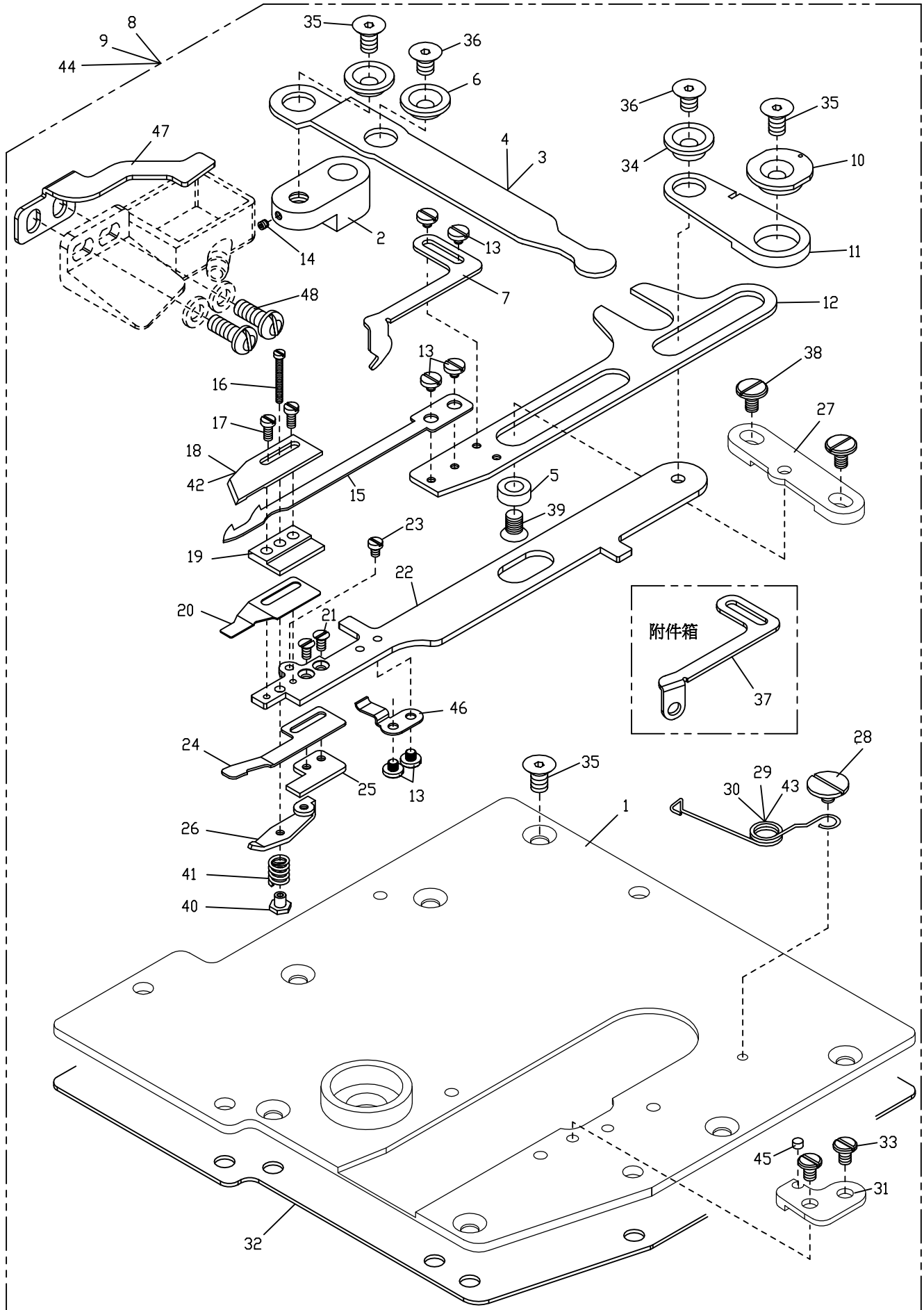


1. UTB08/UTB08B/UTB09/UTB09B/UTB09F/UTB09BF/UTC08/UTC09/UTC09F/UTG08
 UTG09/UTG09F/UTH08/UTH09/UTH09F 下切線機構 Under Trimmer Components



1. UTB08/UTB08B/UTB09/UTB09B/UTB09F/UTB09BF/UTC08/UTC09/UTC09F
 UTG08/UTG09/UTG09F/UTH08/UTH09/UTH09F 下切線機構

Under Trimmer Components

序號 Ref.No.	物料編號 Parts No.	名稱 Description	單位用量 Amt.Req.
1	4UTB0801012	下軸內蓋 Crank Chamber Cover -----	1
2	4UTB020102	連結塊 Connecting Block-----	1
*3	4UTB020103	驅動臂 Driving Lever-----	1
**4	4UTC020117	驅動臂 Driving Lever-----	1
5	4UTB020105	隔環 Spacer -----	1
6	4UTB020106	隔環 Spacer -----	2
7	4UTB0801071	導線 Thread Guide Eyelet -----	1
*8	4UTB08A0108	下切線組 Under Trimmer Components -----	1
**9	4UTC08A0109	下切線組 Under Trimmer Components -----	1
10	4UTB000110	調整隔環 Adjusting Ring -----	1
11	4UTB010111	擺動臂 Lever -----	1
12	4UTB010112	活動刀座 Lower Knife Carrier -----	1
13	8MB75180205A	螺絲 Screw (UTB0113 M2.5-0.45*2) -----	6
14	8MN03200300A	螺絲 Screw (CT0115 M3-0.5*3) -----	1
15	4UTB000115	活動刀片 Lower Movable Knife -----	1
16	8MB02161504E	螺絲 Screw (UTB020116 M2-0.4*14.8) -----	1
17	8MB02160505A	螺絲 Screw (UTB0117 M2-0.4*4) -----	2
18	4UTB000118	固定刀片 Lower Fixed Knife -----	1
19	4UTB000119	滑道 Lower Movable Knife Guide -----	1
20	4UTB000120	簧片 Clamp Spring -----	1
21	8ME02160404A	螺絲 Screw (CT12-15 M2-0.4*3) -----	2
22	4UTB080122	固定刀座 Lower Knife Holder -----	1
23	8MB02160304A	螺絲 Screw (UTB0137 M2-0.4*3) -----	1
24	4UTB000124	簧片 Knife Pressure Spring -----	1
25	4UTB000125	墊片 Clamp Spring Pressure Holder -----	1
26	4UTB010126	簧壓調整片 Clamp Spring Adjusting Piece -----	1
27	4UTB080127	固定座 Bracket Holder-----	1
28	8MB03200410G	螺樁 Stud (UTB02-01-28 M3-0.5*2.5) -----	1
*29	4UTB000129	彈簧 Spring -----	1
**30	4UTB010143	彈簧 Spring -----	1
31	4UTB080131	定位塊 Upper Knife Carrier Guide -----	1
32	4UTB080132	防漏墊片 Gasket -----	1
33	8MB85240407A	螺絲 Screw (FT0538 M3.5-0.6*4) -----	2
34	4UTB000108	隔環 Spacer -----	1
35	8MQ04280808A	螺絲 Screw (UTB0109 M4-0.7*8) -----	9
36	8MQ04280608A	螺絲 Screw (UTB0107 M4-0.7*6) -----	2
37	4UTB080107	導線 Thread Guide Eyelet -----	1
38	8MB04280508A	螺絲 Screw (UTB20127 M4-0.7*5.5) -----	2
39	8ME04280507A	螺絲 Screw (UTB020139 M4-0.7*4) -----	1
40	4UTB020149	螺帽 Nut -----	1
41	4UTB020150	彈簧 Spring -----	1
◎42	4UTB020152	固定刀片 Lower Fixed Knife -----	1
◎43	4UTB020153	彈簧 Spring -----	1
◎44	4UTB08A0144	下切線組 Under Trimmer Components -----	1
45	4UTB000135	減震墊 Rubber Cushion -----	1
46	4UTB080146	夾簧 Supplementary Spring -----	1
47	4UTB080147	下刀托架 Lower Knife Carrier Guide -----	1
48	8MB04281007K	螺絲 Screw(CT1237 M4-0.7*10) -----	2

* 用於氣動式切線裝置 Pneumatic Type

(UTB08 / UTB08B / UTB09 / UTB09B / UTB09F / UTB09BF / UTG08 / UTG09 / UTG09F / UTH08 / UTH09 / UTH09F)

** 用於電動式切線裝置 Electric Type (UTC08 / UTC09 / UTC09F)

UTB08 / UTC08 : 用於 CX2000 機型

UTG08 : 用於 CX2085 / CX2311 機型 (3閥)

UTB08B : 用於 CX2060 機型

UTG09 : 用於 CXD2085/CXD2311/CXM2085/CXM2311 機型 (3閥)

UTB09 / UTC09 : 用於 CXD2000/CXM2000 機型

UTG09F : 用於 CXN2311 / CXU2311 機型 (3閥)

UTB09B : 用於 CXD2060/CXM2060 機型

UTH08 : 用於 CX2000 機型 (3閥)

UTB09F / UTC09F : 用於 CXU2000 / CXN2000 機型

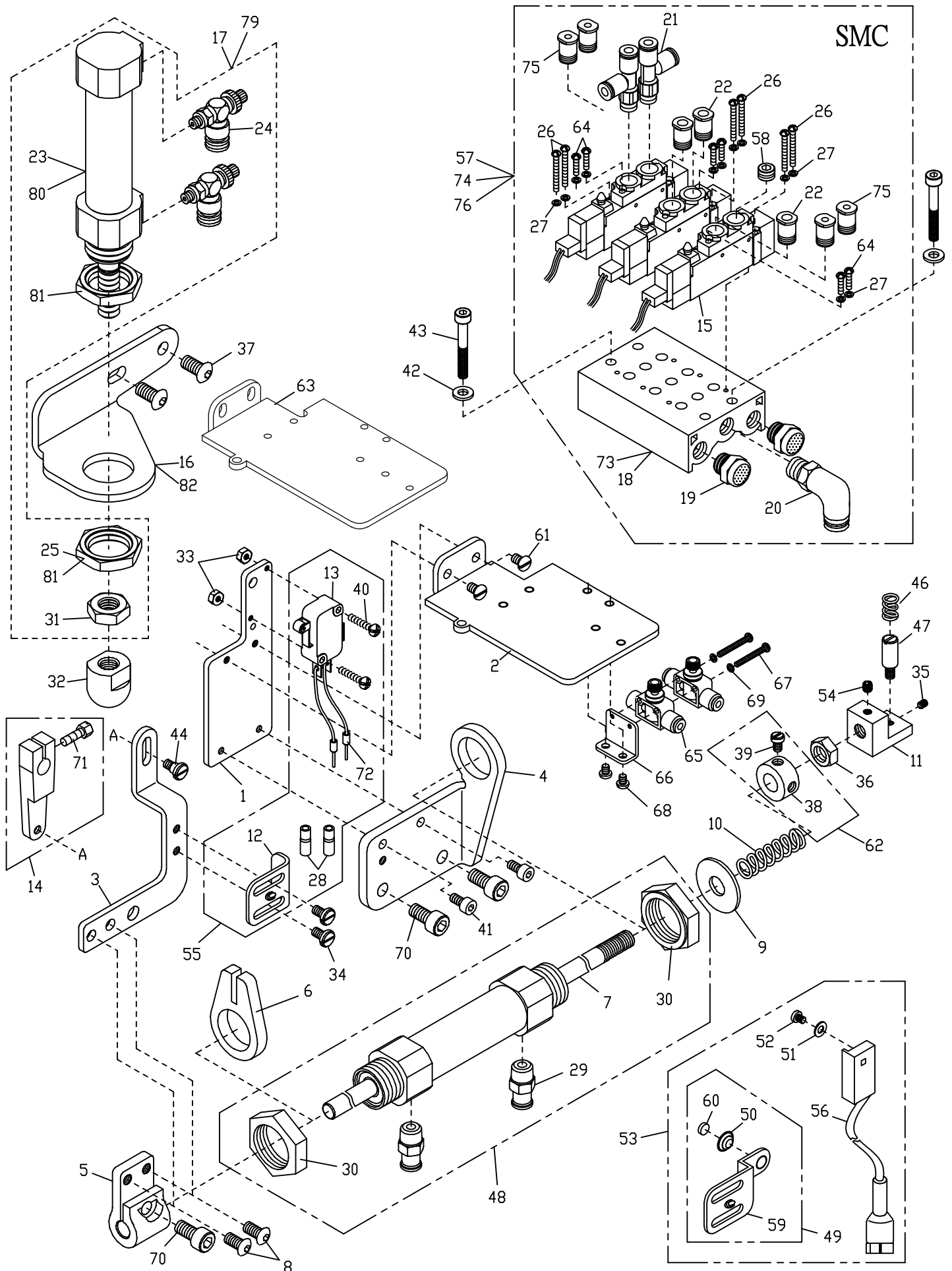
UTH09 : 用於 CXD2000/CM2000 機型 (3閥)

UTB09BF : 用於 CXU2060 / CXN2060 機型

UTH09F : 用於 CXU2000 / CXN2000 機型 (3閥)

◎ 特購品(用於氣動粗線切線裝置) Made to order item (Using on pneumatic type underbed thick thread trimmer)

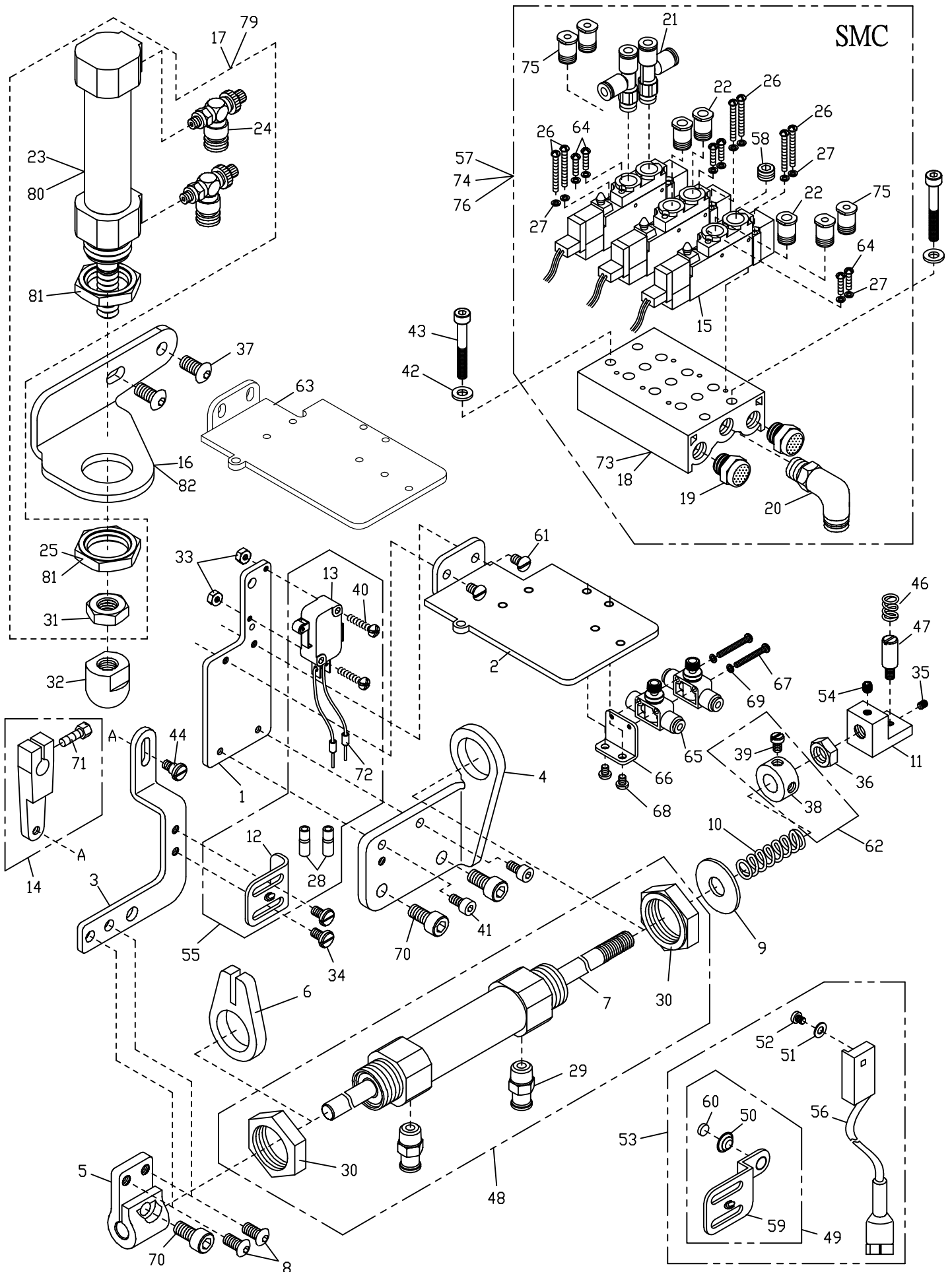
2. UTB03/UTB03F/UTB05/UTB07/UTB07B/UTB07F/UTB08/UTB08B/UTB09/UTB09B
 UTB09F/UTB09BF/UTB10F/UTB10BF/UTG03/UTG03F/UTG08/UTG09/UTG09F/UTG11
 UTG11F/UTH03/UTH03F/UTH08/UTH09/UTH09F 空壓組件 Compressed Air Components



2. UTB03/UTB03F/UTB05/UTB07/UTB07B/UTB07F/UTB08/UTB08B/UTB09
 UTB09B/UTB09F/UTB09BF/UTB10F/UTB10BF/UTG03/UTG03F/UTG08
 UTG09/UTG09F/UTG11/UTG11F/UTH03/UTH03F/UTH08/UTH09/UTH09F
 空壓組件 Compressed Air Components

序號 Ref.No.	物料編號 Parts No.	名稱 Description	單位用量 Amt. Req.
1	4UTB0202011	安全開關座 Safety Switch Bracket -----	1
2	4UTG020102	基板 Base -----	1
3	4UTB020203	連桿 Connecting Plate -----	1
4	4UTB020204	氣缸座 Cyliner Bracket-----	1
5	4UTB020205	固定座 Bracket Holder-----	1
6	4UTB0202061	導軌 Yoke Guide -----	1
7	4UTB0202071	氣壓缸 Cylinder -----	1
8	8MP05320810A	螺絲 Screw (STB0117 M5-0.8*8) -----	2
9	2200001510	墊片 Washer -----	1
10	4UTB020210	彈簧 Spring -----	1
11	4UTB020211	承座 Plunger -----	1
12	4UTB020212	擋片 Stopper -----	1
13	4UTB000336	安全開關 Safety Switch -----	1
14	4UTB010337	曲柄 Tension Release lever -----	1
15	4UTB010315S	換向閥 Electromagnetic Valve -----	-
16	4UTB030216	固定座 Bracket Holder-----	1
17	4UTB03A0217	氣壓缸組 Cylinder Asm-----	1
18	4UTB010318S	換向閥座 Electromagnetic Valve Base -----	-
19	4UTG010319S	消音器 Silencer -----	2
20	4UTB020266S	空氣管接頭 Elbow Connector -----	1
21	4UTB010311S	空氣管接頭 Connector -----	2
22	4UTB010312S	空氣管接頭 Connector -----	-
23	4UTB030223	氣壓缸 Cylinder -----	1
24	4UTB000305	節流閥 Speed Controller -----	2
25	8MA22600627A	螺帽 Nut (UTB30225 M22-1.5*6) -----	1
26	4UTB010313S	螺絲 Screw -----	-
27	4UTB010314S	彈簧墊圈 Spring Washer -----	-
28	4UTB020228	絕緣套管 Bushing -----	2
29	4UTB020229	空氣管接頭 Elbow Connector -----	2
30	8MA20600627A	螺帽 Nut (UTB20230 M20-1.5*6) -----	2
31	8MA10600617A	螺帽 Nut -----	1
32	4PFE010113	套管 Clutch Sleeve -----	1
33	8MA03200306A	螺帽 Nut (FTB0111 M3-0.5*3) -----	2
34	8MB04280507K	螺絲 Screw (FT0235 M4-0.7*5) -----	2
35	8MN03200400A	螺絲 Screw (UH0125 M3-0.5*4) -----	1
36	8MA08500513A	螺帽 Nut (FTC10126 M8-1.25*5)-----	1
37	8MP06401211A	螺絲 Screw (UTB0302 M6-1*12) -----	2
38	4UTB010245	定位環 Collar -----	1
39	8MC95300606F	螺絲 Screw(CT0823 M4.5-0.75*5) -----	1
40	8MC03201606D	螺絲 Screw (UTB03351 M3-0.5*16) -----	2
41	8MM04280807A	螺絲 Screw (MT0124 M4-0.7*8) -----	2
42	90SW040	彈簧墊圈 Spring Washer -----	2
43	8MM04283007B	螺絲 Screw (UTB01-03-16 M4-0.7*30) -----	2
44	8MB04280908G	螺樁 Stud (UTB0339 M4-0.7*4) -----	1
◎45	4UTJ02A0165	換向閥組 Electromagnetic Valve Asm-----	-
46	2200000816	彈簧 Spring -----	1
47	8MB04280607M	螺樁 Stud (UTC2-01-34 M4-0.7*5.5) -----	1
48	4UTB02A02011	氣壓缸組 Cylinder Asm. -----	1
49	4UTB02A0249	支架組 Knife Holder Bracket Asm -----	1
50	4UTB020250	銅扣 Brass Button -----	1
51	2200001025	墊圈 Washer -----	1
52	8SB44400608K	螺絲 Screw (SH0128 11/64-40*6)-----	1
*53	4UTB02A0253	磁控支架組 Magnetic Type Safety Switch SET. -----	1
54	8MN04280400A	螺絲 Screw (CT0229 M4-0.7*4) -----	1
55	4UTB02A0255	觸控支架組 One Touch Type Safety Switch SET. -----	1
56	4UTB020256	安全開關 Safety Switch -----	1
57	4UTB01A03491S	換向閥組 Electromagnetic Valve Asm-----	-
58	4UTB010377S	螺帽 Nut -----	-
59	4UTB020259	支架 Knife Holder Bracket -----	1
60	4UTB000444	磁鐵 Magnet -----	1

2. UTB03/UTB03F/UTB05/UTB07/UTB07B/UTB07F/UTB08/UTB08B/UTB09/UTB09B
 UTB09F/UTB09BF/UTB10F/UTB10BF/UTG03/UTG03F/UTG08/UTG09/UTG09F/UTG11
 UTG11F/UTH03/UTH03F/UTH08/UTH09/UTH09F 空壓組件 Compressed Air Components



2. UTB03/UTB03F/UTB05/UTB07/UTB07B/UTB07F/UTB08/UTB08B/UTB09
 UTB09B/UTB09F/UTB09BF/UTB10F/UTB10BF/UTG03/UTG03F/UTG08
 UTG09/UTG09F/UTG11/UTG11F/UTH03/UTH03F/UTH08/UTH09/UTH09F
 空壓組件 Compressed Air Components

序號 Ref.No.	物料編號 Parts No.	名稱 Description	單位用量 Amt. Req.
61	8MB04280607K	螺絲 Screw (MT0233 M4-0.7*6) -----	2
62	4UTB01A0255	定位環組 Collar Asm-----	1
◎63	4UTJ020102	基板 Base -----	1
64	4UTB010362S	螺絲 Screw-----	-
65	4WPC000114	節流閥 Speed Controller -----	2
66	4UTB020262	支架 Cylinder Holder Bracket -----	1
67	8MC03202506D	螺絲 Screw (UTB03-02-67 M3-0.5*25) -----	2
68	8MB04280507A	螺絲 Screw (UH0917 M4-0.7*4.5) -----	2
69	90SW030	彈簧墊圈 Spring Washer -----	2
70	8MM06401210A	螺絲 Screw (FT1103 M6-1*12) -----	3
71	8MK95301407A	螺絲 Screw (CT0837 M4.5-0.75*14) -----	1
72	4UTB020272	公端子 Power cord -----	2
73	4UTG0103181S	換向閥座 Electromagnetic Valve Base -----	-
74	4UTG01A03491S	換向閥組 Electromagnetic Valve Asm-----	-
75	4UTH020121S	空氣管接頭 Elbow Connector -----	-
◎76	4UTH02A0157S	換向閥組 Electromagnetic Valve Asm-----	-
77	-----	-----	-
78	-----	-----	-
**79	4UTB02FA0217	氣壓缸組 Cylinder Asm-----	1
**80	4UTB02F0223	氣壓缸 Cylinder -----	1
**81	8MA22600630A	螺帽 Nut (M22-1.5*6) -----	2
**82	4UTB02F0216	固定座 Bracket Holder-----	1

* 選購 To pick and make purchase

** 用於 UTB03F/UTB07F/UTB09F/UTB09BF/UTB10F/UTB10BF/UTG03F/UTG09F/UTH03F/UTH09F/UTG11F

◎ 特註品 Custome-made Item

機型 Model UTB03/UTB03F/UTB05/UTB07/UTB07B/UTB07F/UTB08/UTB08B/UTB09/UTB09B
 UTB09F/UTB09BF/UTB10F/UTB10BF (2顆換向閥 Electromagnetic Valve 2 pcs.)

序號 Ref.No.	15	18	22	26	27	57	64
用量 Req.	2	1	2	4	8	1	4

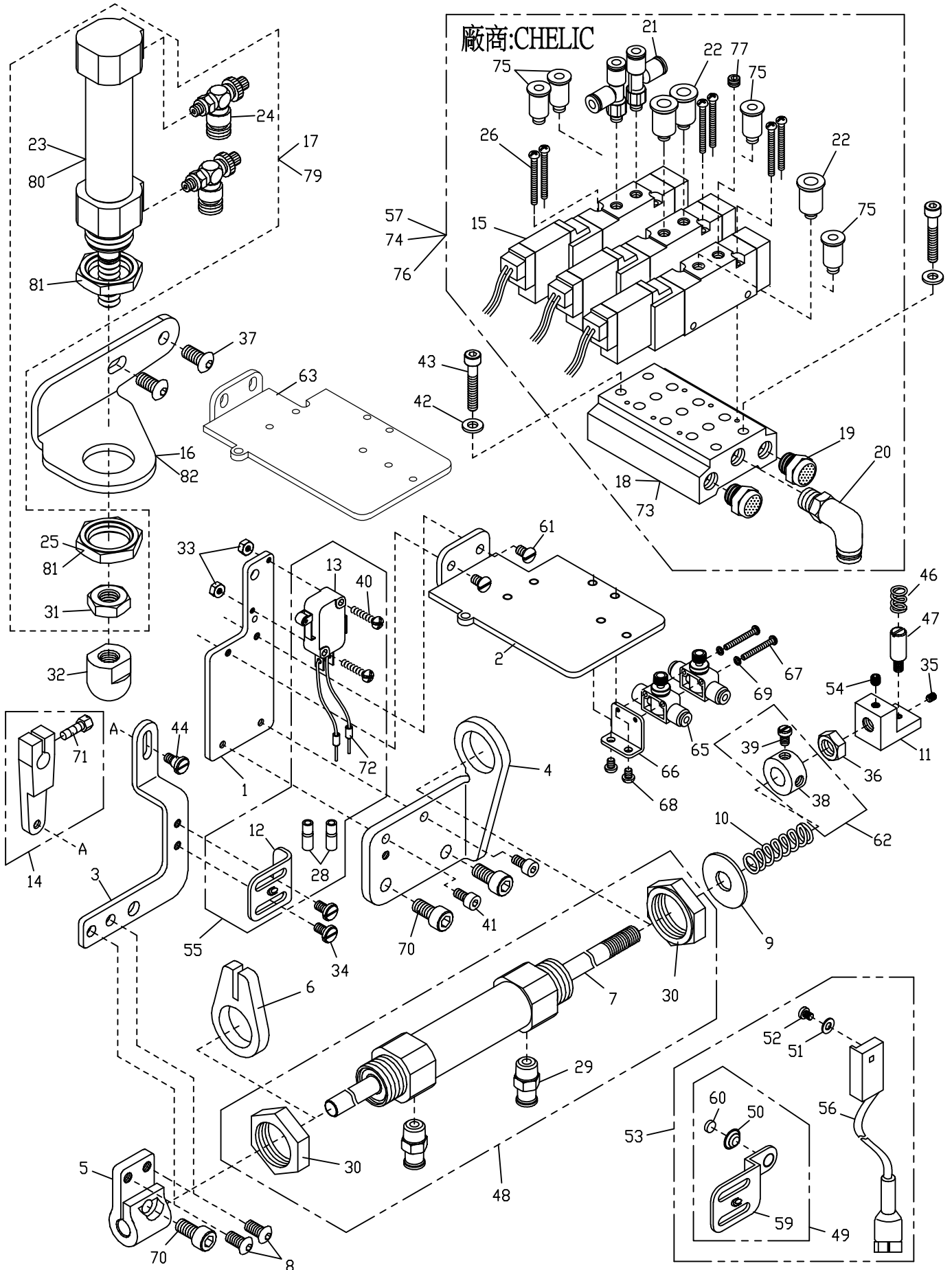
機型 Model UTG03 / UTG03F / UTG08 / UTG09 / UTG09F / UTG11 / UTG11F
 (3顆換向閥 Electromagnetic Valve 3 pcs.)

序號 Ref.No.	15	22	26	27	58	64	73	74
用量 Req.	3	3	6	12	1	6	1	1

機型 Model UTH03 / UTH03F / UTH08 / UTH09 / UTH09F (3顆換向閥 Electromagnetic Valve 3 pcs.)

序號 Ref.No.	15	22	26	27	64	73	75	76
用量 Req.	3	2	6	12	6	1	4	1

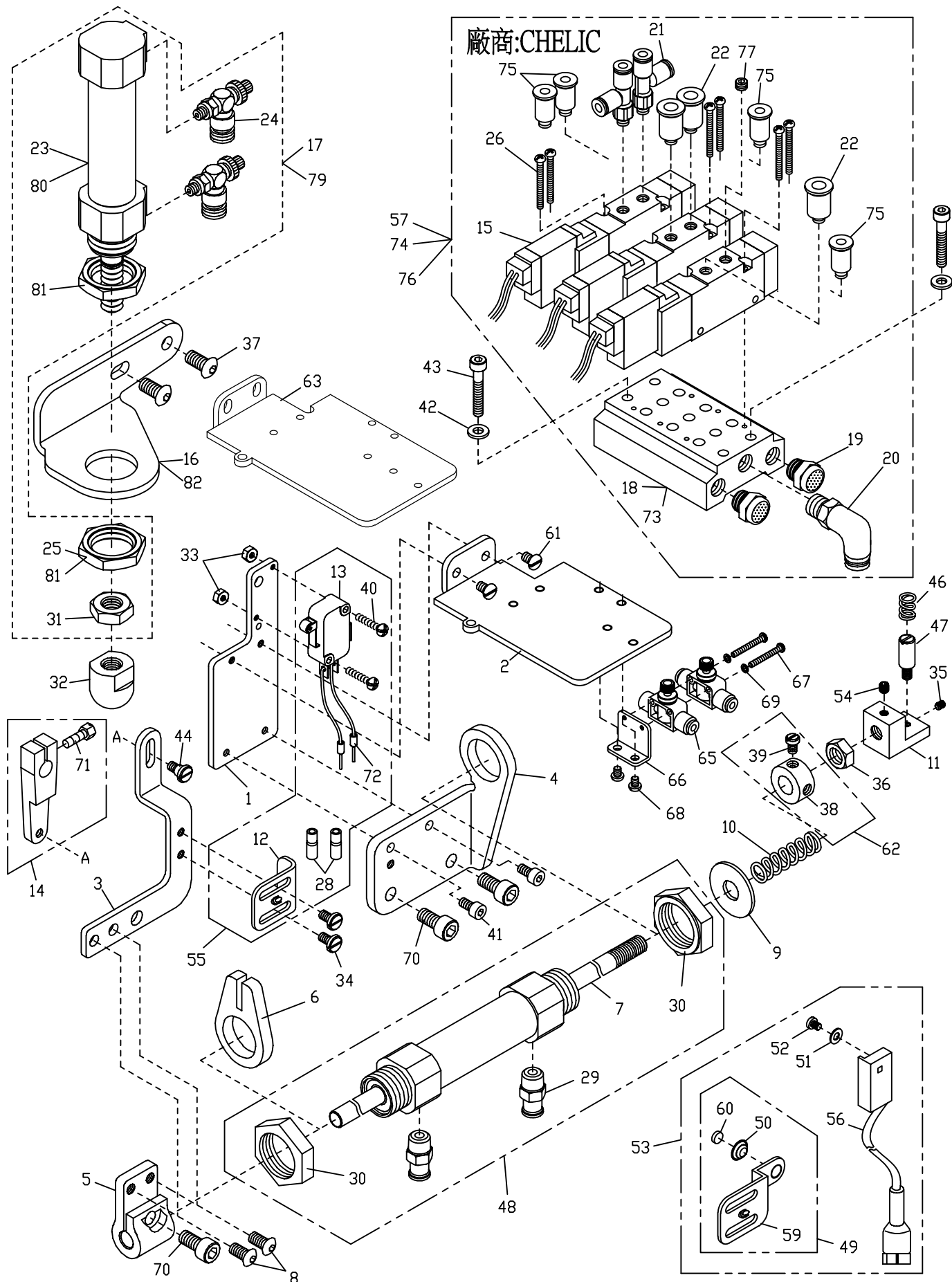
3. UTB03C/UTB03FC/UTB05C/UTB07C/UTB07BC/UTB07FC/UTB08C/UTB08BC
 UTB09C/UTB09BC/UTB09FC/UTB09BFC/UTB10FC/UTB10BFC/UTG03C/UTG03FC
 UTG08C/UTG09C/UTG09FC/UTG11C/UTG11FC/UTH03C/UTH03FC/UTH08C/UTH09C
 UTH09FC 空壓組件 Compressed Air Components



3. UTB03C/UTB03FC/UTB05C/UTB07C/UTB07BC/UTB07FC/UTB08C/UTB08BC
 UTB09C/UTB09BC/UTB09FC/UTB09BFC/UTB10FC/UTB10BFC/UTG03C
 UTG03FC/UTG08C/UTG09C/UTG09FC/UTG11C/UTG11FC /UTH03C/UTH03FC
 UTH08C/UTH09C/UTH09FC 空壓組件 Compressed Air Components

序號 Ref.No.	物料編號 Parts No.	名稱 Description	單位用量 Amt. Req.
1	4UTB0202011	安全開關座 Safety Switch Bracket -----	1
2	4UTG020102	基板 Base -----	1
3	4UTB020203	連桿 Connecting Plate -----	1
4	4UTB020204	氣缸座 Cyliner Bracket-----	1
5	4UTB020205	固定座 Bracket Holder-----	1
6	4UTB0202061	導軌 Yoke Guide -----	1
7	4UTB0202071	氣壓缸 Cylinder -----	1
8	8MP05320810A	螺絲 Screw (STB0117 M5-0.8*8) -----	2
9	2200001510	墊片 Washer -----	1
10	4UTB020210	彈簧 Spring -----	1
11	4UTB020211	承座 Plunger -----	1
12	4UTB020212	擋片 Stopper -----	1
13	4UTB000336	安全開關 Safety Switch -----	1
14	4UTB010337	曲柄 Tension Release lever -----	1
15	4UTB0103151	換向閥 Electromagnetic Valve -----	-
16	4UTB030216	固定座 Bracket Holder-----	1
17	4UTB03A0217	氣壓缸組 Cylinder Asm-----	1
18	4UTB0103181	換向閥座 Electromagnetic Valve Base -----	1
19	4UTG010319	消音器 Silencer -----	2
20	4UTB0202661	空氣管接頭 Elbow Connector -----	1
21	4UTB0103111	空氣管接頭 Connector -----	2
22	4UTB0103121	空氣管接頭 Connector -----	-
23	4UTB030223	氣壓缸 Cylinder -----	1
24	4UTB000305	節流閥 Speed Controller -----	2
25	8MA22600627A	螺帽 Nut (UTB30225 M22-1.5*6) -----	1
26	4UTB0103131	螺絲 Screw-----	-
27	-----	-----	-
28	4UTB020228	絕緣套管 Bushing -----	2
29	4UTB020229	空氣管接頭 Elbow Connector -----	2
30	8MA20600627A	螺帽 Nut (UTB20230 M20-1.5*6) -----	2
31	8MA10600617A	螺帽 Nut -----	1
32	4PFE010113	套管 Clutch Sleeve -----	1
33	8MA03200306A	螺帽 Nut (FTB0111 M3-0.5*3) -----	2
34	8MB04280507K	螺絲 Screw (FT0235 M4-0.7*5) -----	2
35	8MN03200400A	螺絲 Screw (UH0125 M3-0.5*4) -----	1
36	8MA08500513A	螺帽 Nut (FTC10126 M8-1.25*5)-----	1
37	8MP06401211A	螺絲 Screw (UTB0302 M6-1*12)-----	2
38	4UTB010245	定位環 Collar -----	1
39	8MC95300606F	螺絲 Screw(CT0823 M4.5-0.75*5) -----	1
40	8MC03201606D	螺絲 Screw (UTB03351 M3-0.5*16) -----	2
41	8MM04280807A	螺絲 Screw (MT0124 M4-0.7*8) -----	2
42	90SW040	彈簧墊圈 Spring Washer -----	2
43	8MM04282507B	螺絲 Screw (FT0719 M4-0.7*25) -----	2
44	8MB04280908G	螺樁 Stud (UTB0339 M4-0.7*4) -----	1
45	-----	-----	-
46	2200000816	彈簧 Spring -----	1
47	8MB04280607M	螺樁 Stud (UTC2-01-34 M4-0.7*5.5) -----	1
48	4UTB02A02011	氣壓缸組 Cylinder Asm. -----	1
49	4UTB02A0249	支架組 Knife Holder Bracket Asm -----	1
50	4UTB020250	銅扣 Brass Button -----	1
51	2200001025	墊圈 Washer -----	1
52	8SB44400608K	螺絲 Screw (SH0128 11/64-40*6)-----	1
*53	4UTB02A0253	磁控支架組 Magnetic Type Safety Switch SET. -----	1
54	8MN04280400A	螺絲 Screw (CT0229 M4-0.7*4) -----	1
55	4UTB02A0255	觸控支架組 One Touch Type Safety Switch SET. -----	1
56	4UTB020256	安全開關 Safety Switch -----	1
57	4UTB01A03492	換向閥組 Electromagnetic Valve Asm-----	1
58	-----	-----	-
59	4UTB020259	支架 Knife Holder Bracket -----	1
60	4UTB000444	磁鐵 Magnet -----	1

3. UTB03C/UTB03FC/UTB05C/UTB07C/UTB07BC/UTB07FC/UTB08C/UTB08BC
 UTB09C/UTB09BC/UTB09FC/UTB09BFC/UTB10FC/UTB10BFC/UTG03C/UTG03FC
 UTG08C/UTG09C/UTG09FC/UTG11C/UTG11FC/UTH03C/UTH03FC/UTH08C/UTH09C
 UTH09FC 空壓組件 Compressed Air Components



3. UTB03C/UTB03FC/UTB05C/UTB07C/UTB07BC/UTB07FC/UTB08C/UTB08BC
 UTB09C/UTB09BC/UTB09FC/UTB09BFC/UTB10FC/UTB10BFC/UTG03C
 UTG03FC/UTG08C/UTG09C/UTG09FC/UTG11C/UTG11FC /UTH03C/UTH03FC
 UTH08C/UTH09C/UTH09FC 空壓組件 Compressed Air Components

序號 Ref.No.	物料編號 Parts No.	名稱 Description	單位用量 Amt. Req.
61	8MB04280607K	螺絲 Screw (MT0233 M4-0.7*6) -----	2
62	4UTB01A0255	定位環組 Collar Asm-----	1
◎63	4UTJ020102	基板 Base -----	1
64	-----	-----	-
65	4WPC000114	節流閥 Speed Controller -----	2
66	4UTB020262	支架 Cylinder Holder Bracket -----	1
67	8MC03202506D	螺絲 Screw (UTB03-02-67 M3-0.5*25) -----	2
68	8MB04280507A	螺絲 Screw (UH0917 M4-0.7*4.5) -----	2
69	90SW030	彈簧墊圈 Spring Washer -----	2
70	8MM06401210A	螺絲 Screw (FT1103 M6-1*12) -----	3
71	8MK95301407A	螺絲 Screw (CT0837 M4.5-0.75*14) -----	1
72	4UTB020272	公端子 Power cord -----	2
73	4UTG0103182	換向閥座 Electromagnetic Valve Base -----	1
74	4UTG01A03492	換向閥組 Electromagnetic Valve Asm-----	1
75	4UTH0201211	空氣管接頭 Connector -----	-
76	4UTH02A01571	換向閥組 Electromagnetic Valve Asm-----	-
77	4UTG0103551	螺帽 Nut -----	1
78	-----	-----	-
**79	4UTB02FA0217	氣壓缸組 Cylinder Asm-----	1
**80	4UTB02F0223	氣壓缸 Cylinder -----	1
**81	8MA22600630A	螺帽 Nut (M22-1.5*6) -----	2
**82	4UTB02F0216	固定座 Bracket Holder-----	1

◎ 特註品 Custome-made Item

* 選購 To pick and make purchase

** 用於 UTB03FC / UTB07FC / UTB09FC / UTB09BFC / UTB10FC / UTB10BFC / UTG03FC / UTG09FC / UTG11FC

機型 Model UTB03C/UTB03FC/UTB05C/UTB07C/UTB07BC/UTB07FC/UTB08C/UTB08BC
 UTB09C/UTB09BC/UTB09FC/UTB09BFC/UTB10FC/UTB10BFC
 (2顆換向閥 Electromagnetic Valve 2 pcs.)

序號 Ref.No.	15	18	21	22	26	57
用量 Req.	2	1	2	2	4	1

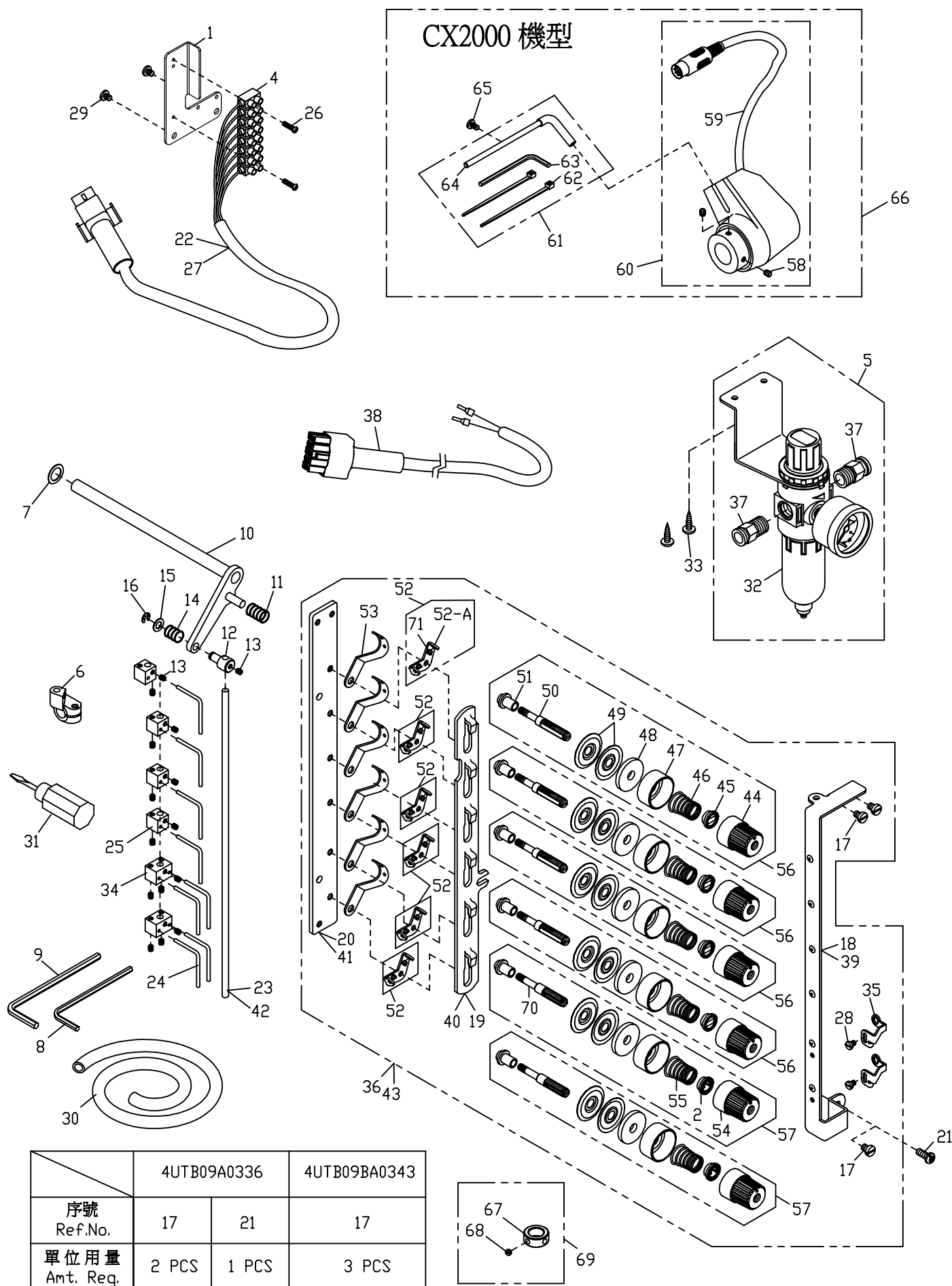
機型 Model UTG03C / UTG03FC / UTG08C / UTG09C / UTG09FC / UTG11C / UTG11FC
 (3顆換向閥 Electromagnetic Valve 3 pcs.)

序號 Ref.No.	15	21	22	26	73	74	77
用量 Req.	3	2	3	6	1	1	1

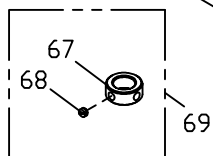
機型 Model UTH03C / UTH03FC / UTH08C / UTH09C / UTH09FC
 (3顆換向閥 Electromagnetic Valve 3 pcs.)

序號 Ref.No.	15	22	26	73	75	76
用量 Req.	3	2	6	1	4	1

4. UTB08/UTB08B/UTB09/UTB09B/UTB09F/UTB09BF/UTG08/UTG09/UTG09F UTH08/UTH09/UTH09F 鬆線機構及更換零件 Thread Tension Components And Motor Components



	4UTB09A0336		4UTB09BA0343
序號 Ref.No.	17	21	17
單位用量 Amt. Req.	2 PCS	1 PCS	3 PCS



4.UTB08/UTB08B/UTB09/UTB09B/UTB09F/UTB09BF/UTG08/UTG09

UTG09F/UTH08/UTH09/UTH09F 鬆線機構及更換零件

Thread Tension Components And Motor Components

序號 Ref. No.	物料編號 Parts No.	名稱 Description	單位用量 Amt. Req.
1	4UTB080301	端子座固定架 Terminal Holder Support -----	1
2	2100001122	止滑齒輪 Bush -----	-
3	-----	-----	-
4	4UTB000457	控制線接頭 Connector-----	1
5	4UTB00A04582	調壓濾水閥組 Regulator Asm.-----	1
6	4UTB000451	結線鉤座 Looper Holder -----	1
7	4UTB010459	墊片 Clamp Spring Pressure Holder -----	1
8	66635	六角板手 Allen Key 2MM -----	1
9	66640	六角板手 Allen Key 2.5MM -----	1
10	4UTB000410	曲柄 Tension Release Shaft -----	1
11	4UTB000411	彈簧 Spring -----	1
12	4UTB000412	接頭 Pin -----	1
13	8MN03200300A	螺絲 Screw (CT0115 M3-0.5*3) (see the table) -----	-
14	4UTB000414	彈簧 Spring -----	1
15	2200001025	墊圈 Washer -----	1
16	90ER030	E形扣環 E Ring -----	1
17	8MB04280507K	螺絲 Screw (FT0235 M4-0.7*5) -----	-
18	4UTB000418	導線 Thread Guide Eyelet -----	1
19	4UTB0004191	鬆線滑板 Release Wedge -----	1
20	4UTB000420	導線座 Tension Post Support -----	1
21	8MC04281007D	螺絲 Screw (CT0113 M4-0.7*10) -----	-
△22	4UTB090322	換向閥用控制線 Terminal Holder -----	1
23	4UTB000423	導桿 Guide Bar -----	1
24	4UTB000424	鬆線桿 Release Bar (see the table) -----	-
25	4UTB000425	鬆線座 Thread Pull-off Block (see the table) -----	-
26	8MC03201006D	螺絲 Screw (UTB0426 M3-0.5*10) -----	2
27	4UTB000427	換向閥用控制線 Terminal Holder -----	1
28	8MB03200306X	螺絲 Screw (UTB0436 M3-0.5*3) -----	2
29	8MB04280608A	螺絲 Screw (UTB0130 M4-0.7*6) -----	2
30	4UTB010430	空氣管 Air Tube -----	1
31	66668	平口起子 Screwdriver -----	1
32	4UTB0004321	調壓濾水閥 Regulator -----	1
33	8WD30000015B	木螺絲 Wood Screw -----	2
34	4UTB000434	鬆線座 Thread Pull-off Block (see the table) -----	-
35	4UTB000435	導線 Thread Guide Eyelet -----	2
36	4UTB09A03361	鬆線組 Theard Tension Mechanism -----	1
37	4UTB010456	8mm空氣管接頭 Connector -----	2
38	4UTG010462	控制線接頭 Connector-----	1
39	4UTB040318	導線 Thread Guide Eyelet -----	1
40	4UTB0403191	鬆線滑板 Release Wedge -----	1
41	4UTB040320	導線座 Tension Post Support -----	1
42	4UTB040323	導桿 Guide Bar -----	1
43	4UTB09BA03431	鬆線組 Theard Tension Mechanism -----	1
44	2100001121	張力調整螺帽 Tension Nut (Red) (SH1121) (see the table) -----	-
45	2200000303	套管 Bushing (see the table) -----	-
46	2100001123	彈簧 Spring (Red) (SH1123) (see the table) -----	-
47	2200000305	彈簧座 Spring Seat (see the table) -----	-
48	2100001127	羊毛氈 Felt (see the table) -----	-
49	2100001126	張力控制盤 Tension Disc (see the table) -----	-
50	22000003081	螺樁 Stud (see the table) -----	-
51	22000003091	隔環 Spacer (see the table) -----	-
52	2600000355	導線組 Thread Guide Asm. (see the table) -----	-
52-A	2600000355A	導線 Thread Guide (see the table) -----	-
53	2200000312	導線 Thread Guide (see the table) -----	-
54	2100001121A	張力調整螺帽 Tension Nut (Yellow) (SH1121) (see the table) -----	-
55	2100041131	彈簧 Spring (Yellow) (SH1131) (see the table) -----	-

4.UTB08/UTB08B/UTB09/UTB09B/UTB09F/UTB09BF/UTG08/UTG09 UTG09F/UTH08/UTH09/UTH09F 鬆線機構及更換零件

Thread Tension Components And Motor Components

序號 Ref. No.	物料編號 Parts No.	名稱 Description	單位用量 Amt. Req.
56	231A00001922	張力控制組 Tension Asm. (Red) (see the table) -----	-
57	220A0000315	張力控制組 Tension Asm. (Yellow) (see the table) -----	-
58	8MN06400600A	螺絲 Screw (CT0244 M6-1*6) -----	2
59	4UTB020303	針定位器 Synchronizer -----	1
60	4UTB02A0304	針定位器組 Mount- on Type Synchronizer -----	1
61	4UTB02A0305	止動桿組 Stopper Set Asm. -----	1
62	4UTB020306	束線 Plastic Binding Wire -----	2
63	4UTB020307	六角板手 Allen Key -----	1
64	4UTB020308	止動桿 Stopper -----	1
65	8MC04281007A	螺絲 Screw (CT0113 M4-0.7*10) -----	1
◎ 66	4UTB02A0347	外置式定位器組 Mount- on Type Synchronizer Set-----	1
67	2200000812	限動環 Stop Collar -----	1
68	8MH85240300A	螺絲 Screw (CT0813 M3.5-0.6*3) -----	2
69	220A0000839	定位環組 Collar Asm.-----	1
70	22000003611	螺樁 Stud -----	-
71	240013087	磁導線環 Thread Eyelet -----	-

△: CXM2000 / CXN2000 機型用

◎: 選購,並須配合伺服馬達使用 <型號HVP-60,HVP-70,HVP-90>

◎: To choose and purchase: These two devices should be used together with AC servo motor <Model No:HVP-60,HVP-70,HVP-90>

機型 Model UTB08 / UTB09 / UTB09F / UTH08 / UTH09 / UTH09F

針數 Number of needle \ 序號 Ref. No.	2	13	24	25	34	18	19	20	23	36	44	45	46	47
2 Needle without Spreader	2	8pcs.	4pcs.	2pcs.	1pcs.	1	1	1	1	1	3	3	3	5
3 Needle without Spreader		10pcs.	5pcs.	3pcs.	1pcs.									
2 Needle with Spreader		11pcs.	6pcs.	2pcs.	2pcs.									
3 Needle with Spreader		13pcs.	7pcs.	3pcs.	2pcs.									

針數 Number of needle \ 序號 Ref. No.	48	49	50	51	52	52-A	53	54	55	56	57	70	71
2 Needle without Spreader	5	10	3	5	5	5	5	2	2	3	2	2	10
3 Needle without Spreader													
2 Needle with Spreader													
3 Needle with Spreader													

機型 Model UTG08 / UTG09 / UTG09F

針數 Number of needle \ 序號 Ref. No.	2	13	24	25	34	18	19	20	23	36	38	44	45	46
2 Needle without Spreader	2	8pcs.	4pcs.	2pcs.	1pcs.	1	1	1	1	1	1	3	3	3
3 Needle without Spreader		10pcs.	5pcs.	3pcs.	1pcs.									
2 Needle with Spreader		11pcs.	6pcs.	2pcs.	2pcs.									
3 Needle with Spreader		13pcs.	7pcs.	3pcs.	2pcs.									

針數 Number of needle \ 序號 Ref. No.	47	48	49	50	51	52	52-A	53	54	55	56	57	70	71
2 Needle without Spreader	5	5	10	3	5	5	5	5	2	2	3	2	2	10
3 Needle without Spreader														
2 Needle with Spreader														
3 Needle with Spreader														

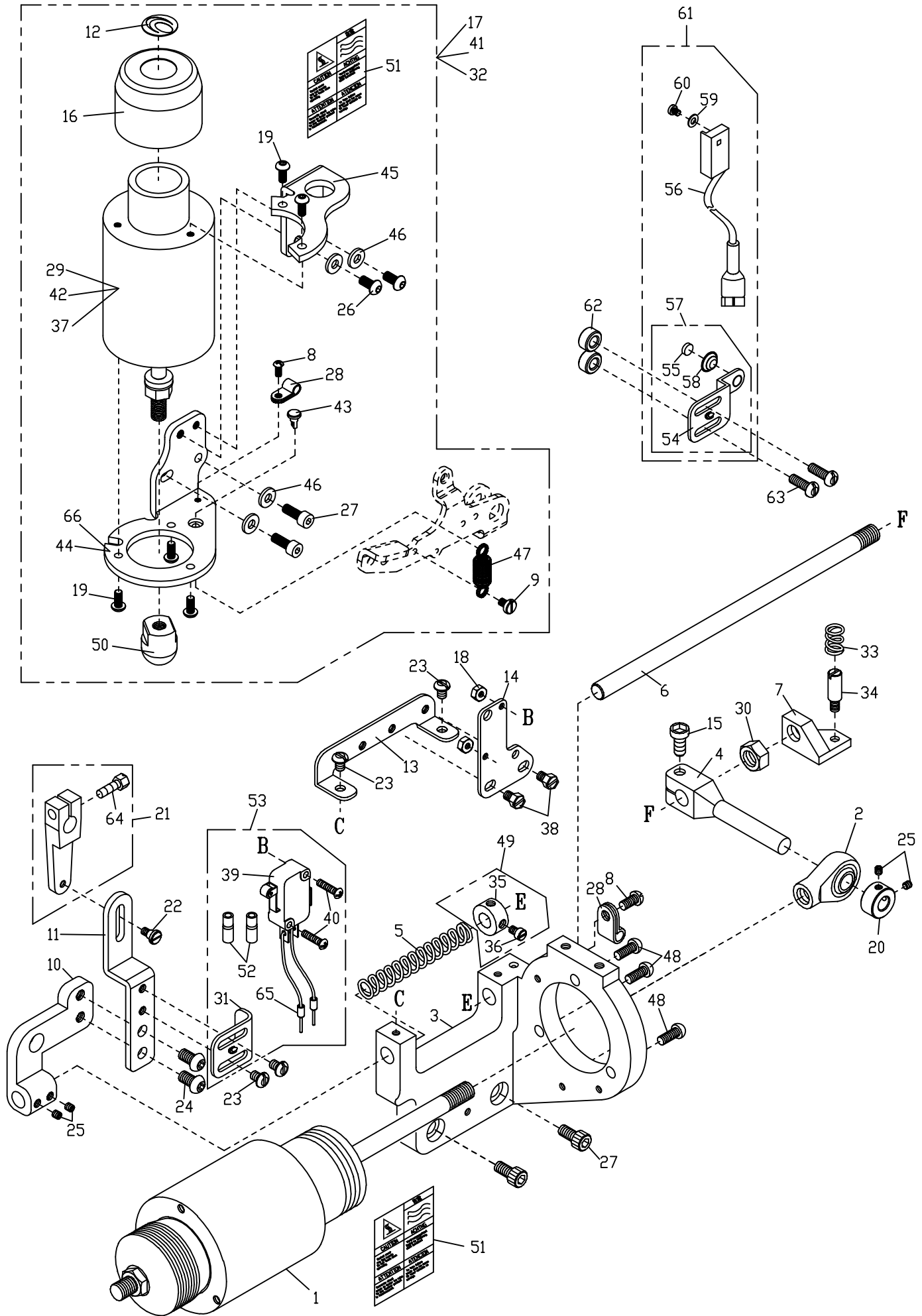
機型 Model UTB08B / UTB09B / UTB09BF (4針6線 4 Needle 6 Thread)

針數 Number of needle \ 序號 Ref. No.	2	13	24	25	34	39	40	41	42	43	44	45	46	47
4 Needle without Spreader	2	12pcs.	6pcs.	4pcs.	1pcs.	1	1	1	1	1	4	4	4	6
4 Needle with Spreader		15pcs.	8pcs.	4pcs.	2pcs.									

針數 Number of needle \ 序號 Ref. No.	48	49	50	51	52	52-A	53	54	55	56	57	70	71
4 Needle without Spreader	6	12	4	6	6	6	6	2	2	4	2	2	12
4 Needle with Spreader													

5. UTC03/UTC03F/UTC07/UTC07F/UTC08/UTC09/UTC09F/UTC10F

電控式組件 Electric Type Components



5. UTC03 / UTC03F / UTC07 / UTC07F / UTC08 / UTC09 / UTC09F / UTC10F

電控式組件 Electric Type Components

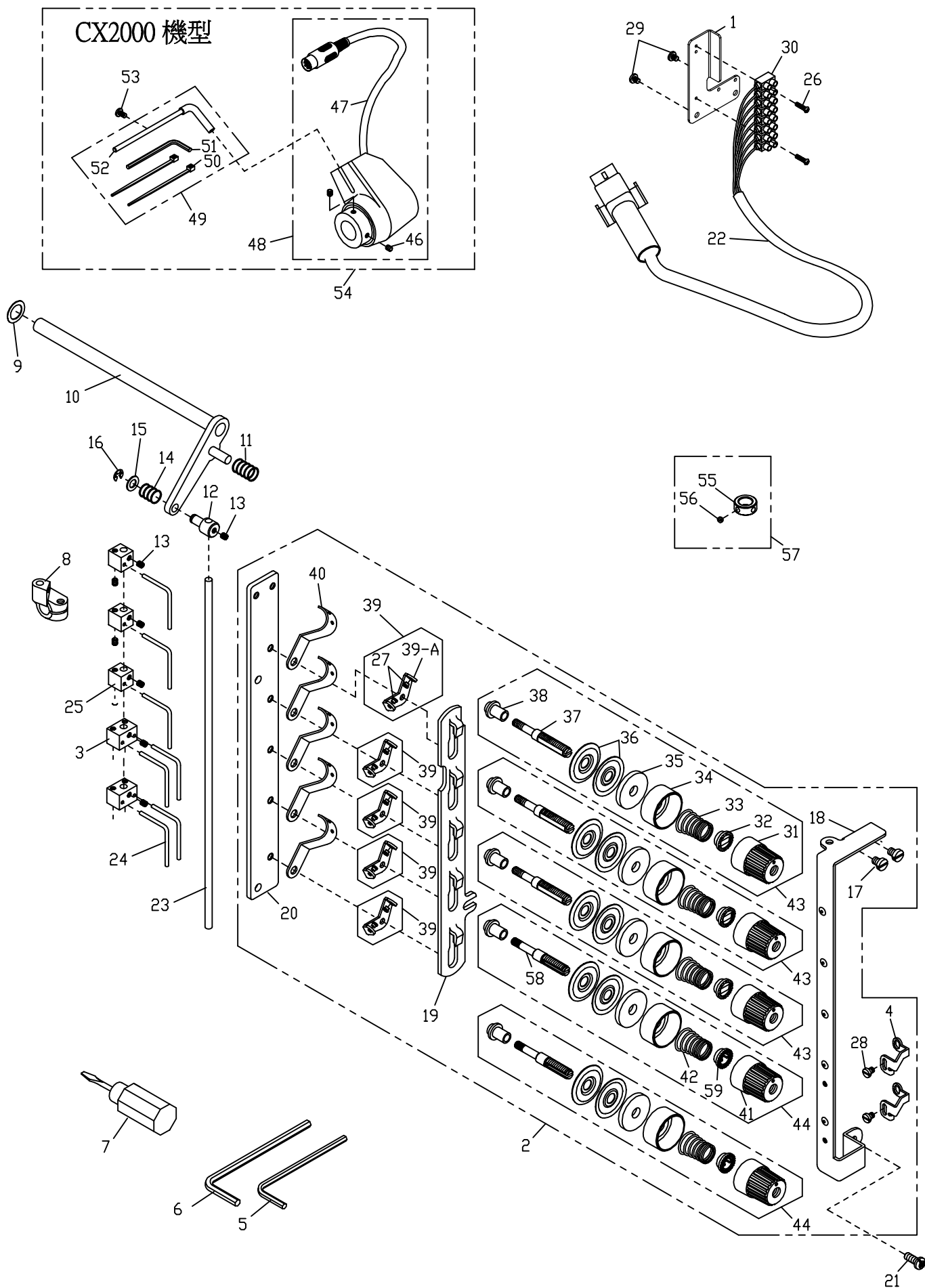
序號 Ref.No.	物料編號 Parts No.	名稱 Description	單位用量 Amt.Req.
1	4UTC040201	磁力線圈 Solenoid -----	1
2	4UTC040202	球軸連桿 Plunger Connecting Rod -----	1
3	4UTC0201031	承座 Plunger -----	1
4	4UTC040204	連桿 Connecting Plate -----	1
5	4UTC0201093	彈簧 Spring -----	1
6	4UTC040206	軸 Shaft -----	1
7	4UTC040207	承座 Plunger -----	1
8	8MC04280807D	螺絲 Screw (CT0130 M4-0.7*8) -----	2
9	8MB05320710G	螺絲 Screw (PFE020116 M5-0.8*7) -----	1
10	4UTC0201101	承座 Plunger -----	1
11	4UTC0201111	連桿 Connecting Plate -----	1
12	66480-11	銘板 Plate -----	1
13	4UTC0201131	基板 Base -----	1
14	4UTC0201141	安全開關座 Saftey Switch Bracket -----	1
15	8MM05321409A	螺絲 Screw (CT0632 M5-0.8*14) -----	1
16	4PFE010119	護蓋 Cover -----	1
***17	PFE2F	壓腳提昇組 Presser Foot Lifter,C.Set -----	1
18	8MA03200306A	螺帽 Nut (FTB0111 M3-0.5*3) -----	2
19	8MP05321210A	螺絲 Screw (UTB0340 M5-0.8*11.5) -----	5
20	4UTB010152	定位環 Collar -----	1
21	4UTC020121	曲柄 Tension Release Lever -----	1
22	8MB04280908G	螺樁 Stud (UTB0339 M4-0.7*4) -----	1
23	8MB04280507K	螺絲 Screw (FT0235 M4-0.7*5) -----	4
24	8MP05320810A	螺絲 Screw (STB0117 M5-0.8*8) -----	2
25	8MN04280400A	螺絲 Screw (CT0229 M4-0.7*4) -----	4
26	8MP06401211A	螺絲 Screw (UTB0302 M6-1*12) -----	2
27	8MM06401610A	螺絲 Screw (CT0625 M6-1*16) -----	4
28	4UTD000254	線夾 Cord Clamp -----	2
***29	4PFE2F0118	磁力線圈 Presser Foot Lifter Solenoid -----	1
30	8MA08500613A	螺帽 Nut (RP0208 M8-1.25*6) -----	1
31	4UTB020212	擋片 Stopper -----	1
**32	PFE2P	壓腳提昇組 Presser Foot Lifter,C.Set -----	1
33	2200000816	彈簧 Spring -----	1
34	8MB04280607M	螺樁 Stud (UTC2-01-34 M4-0.7*5.5) -----	1
35	4UTB010245	定位環 Collar -----	1
36	8MC95300606F	螺絲 Screw (CT0823 M4.5-0.75*5) -----	1
**37	4PFE1P0121	磁力線圈 Presser Foot Lifter Solenoid -----	1
38	8MK04280507A	螺絲 Screw (WPC0106 M4-1.7*5) -----	2
39	4UTB000336	安全開關 Saftey Switch -----	1
40	8MC03201606D	螺絲 Screw (UTB03351 M3-0.5*16) -----	2
41	PFE02	壓腳提昇組 Presser Foot Lifter,C.Set -----	1
42	4PFE010101	磁力線圈 Presser Foot Lifter Solenoid -----	1
43	4PFE020102	接頭 Joint -----	1
44	4PFE020103	固定座 Bracket -----	1
45	4PFE020104	固定座 Bracket -----	1
46	2100000323	墊圈 Washer (SH0323) -----	4
47	4PFE010106	彈簧 Spring -----	1
48	8MP05321610A	螺絲 Screw (UTC02-04-74 M5-0.8*16) -----	3
49	4UTB01A0255	定位環組 Collar Asm-----	1
50	4PFE010113	套管 Clutch Sleeve -----	1
51	4UTC000139	貼紙 Paster -----	2
52	4UTB020228	絕緣套管 Bushing -----	2
53	4UTB02A0255	觸控支架組 One Touch Type Safety Switch SET. -----	1
*54	4UTB020259	支架 Knife Holder Bracket -----	1
*55	4UTB000444	磁鐵 Magnet -----	1
*56	4UTB020256	安全開關 Safety Switch -----	1
*57	4UTB02A0249	支架組 Knife Holder Bracket Asm.-----	1
*58	4UTB020250	銅扣 Brass Button -----	1
*59	2200001025	墊圈 Washer -----	1
*60	8SB44400507A	螺絲 Screw -----	1
*61	4UTB02A0253	磁控支架組 Magnetic Type Safety Switch SET. -----	1
*62	2200001141	隔環 Spacer -----	2
*63	8MB04281207K	螺絲 Screw (CT0239 M4-0.7*12) -----	2
64	8MK95301407A	螺絲 Screw (CT0837 M4.5-0.75*14) -----	1
65	4UTB020272	公端子 Power cord -----	2
***66	4PFE2F0119	固定座 Bracket -----	1

* 磁控支架組用 For Magnetic Type Safety Switch SET

** 配合RP 使用

*** UTC03F / UTC07F / UTC09F / UTC10F 用

6. UTC08 / UTC09 / UTC09F 鬆線機構及更換零件 Thread Tension Components And Motor Components



6. UTC08 / UTC09 / UTC09F 鬆線機構及更換零件

Thread Tension Components And Motor Components

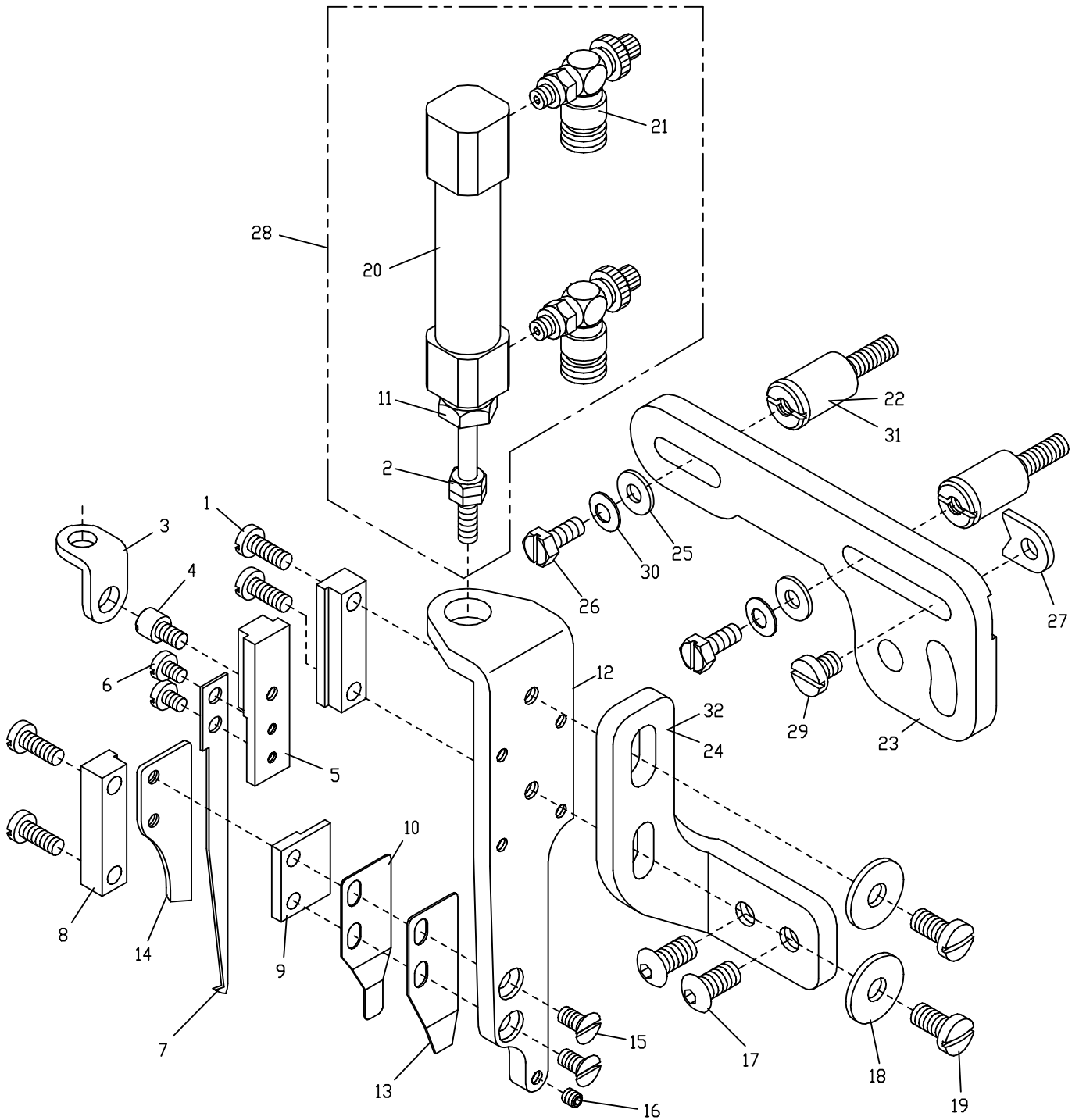
序號 Ref. No.	物料編號 Parts No.	名稱 Description	單位用量 Amt. Req.
1	4UTB080301	端子座固定架 Terminal Holder Support	1
2	4UTB09A03361	鬆線組 Theard Tension Mechanism	1
3	4UTB000434	鬆線座 Thread Pull-off Block (see the table)	-
4	4UTB000435	導線 Thread Guide Eyelet	2
5	66635	六角板手 Allen Key 2MM	1
6	66640	六角板手 Allen Key 2.5MM	1
7	66668	平口起子 Screwdriver	1
8	4UTB000451	結線鉤座 Looper Holder	1
9	4UTB010459	墊片 Clamp Spring Pressure Holder	1
10	4UTB000410	曲柄 Tension Release Shaft	1
11	4UTB000411	彈簧 Spring	1
12	4UTB000412	接頭 Pin	1
13	8MN03200300A	螺絲 Screw (CT0115 M3-0.5*3) (see the table)	-
14	4UTB000414	彈簧 Spring	1
15	2200001025	墊圈 Washer	1
16	90ER030	E形扣環 E Ring	1
17	8MB04280507K	螺絲 Screw (FT0235 M4-0.7*5)	2
18	4UTB000418	導線 Thread Guide Eyelet	1
19	4UTB0004191	鬆線滑板 Release Wedge	1
20	4UTB000420	導線座 Tension Post Support	1
21	8MC04281007D	螺絲 Screw(CT0113 M4-0.7*10)	1
22	4UTB090322	換向閥用控制線 Terminal Holder	1
23	4UTB000423	導桿 Guide Bar	1
24	4UTB000424	鬆線桿 Release Bar	-
25	4UTB000425	鬆線座 Thread Pull-off Block (see the table)	-
26	8MC03201006D	螺絲 Screw (UTB0426 M3-0.5*10) (see the table)	2
27	240013087	磁導線環 Thread Eyelet	10
28	8MB03200306X	螺絲 Screw (UTB0436 M3-0.5*3)	2
29	8MB04280608A	螺絲 Screw (UTB0130 M4-0.7*6)	2
30	4UTB000457	控制線接頭 Connector	1
31	2100001121	張力調整螺帽 Tension Nut (Red) (SH1121)	3
32	2200000303	套管 Bushing	3
33	2100001123	彈簧 Spring (Red) (SH1123)	3
34	2200000305	彈簧座 Spring Seat	5
35	2100001127	羊毛氈 Felt	5
36	2100001126	張力控制盤 Tension Disc	10
37	22000003081	螺樁 Stud	3
38	22000003091	隔環 Spacer	5
39	2600000355	導線組 Thread Guide Asm.	5
39-A	2600000355A	導線 Thread Guide	5
40	2200000312	導線 Thread Guide	5
41	2100001121A	張力調整螺帽 Tension Nut (Yellow) (SH1121)	2
42	2100041131	彈簧 Spring (Yellow) (SH1131)	2
43	231A0001922	張力控制組 Tension Asm. (Red)	3
44	220A0000315	張力控制組 Tension Asm. (Yellow)	2
45	-----	-----	-
46	8MN06400600A	螺絲 Screw (CT0244 M6-1*6)	2
47	4UTB020303	針定位器 Synchronizer	1
48	4UTB02A0304	針定位器組 Mount- on Type Synchronizer	1
49	4UTB02A0305	止動桿組 Stopper Set Asm.	1
50	4UTB020306	束線 Plastic Binding Wire	2
51	4UTB020307	六角板手 Allen Key	1
52	4UTB020308	止動桿 Stopper	1
53	8MC04281007A	螺絲 Screw (CT0113 M4-0.7*10)	1
◎54	4UTB02A0347	外置式定位器組 Mount- on Type Synchronizer Set	1
55	2200000812	限動環 Stop Collar	1
56	8MH85240300A	螺絲 Screw (CT0813 M3.5-0.6*3)	2
57	220A0000839	定位環組 Collar Asm.	1
58	22000003611	螺樁 Stud	2
59	2100001122	止滑齒輪 Bush	2

◎：選購,並須配合伺服馬達使用 <型號HVP-60,HVP-70,HVP-90>

◎： To choose and purchase: These two devices should be used together with AC servo motor <Model No:HVP-60,HVP-70,HVP-90>

Ref. No.	3	13	24	25
2 Needle without Spreader	1pcs.	8pcs.	4pcs.	2pcs.
3 Needle without Spreader	1pcs.	10pcs.	5pcs.	3pcs.
2 Needle with Spreader	2pcs.	11pcs.	6pcs.	2pcs.
3 Needle with Spreader	2pcs.	13pcs.	7pcs.	3pcs.

7. STB02 / STB03 / STD / STD03 上切線機構
 Spreaer Thread Trimmer Components For STB02 / STB03 / STD / STD03



7. STB02 / STB03 / STD / STD03 上切線機構

Spreader Thread Trimmer Components For STB02 / STB03 / STD / STD03

序號 Ref.No.	物料編號 Parts No.	名稱 Description	單位用量 Amt.Req.
1	8MB03200806K	螺絲 Screw (CT0623 M3-0.5*8)-----	4
2	8MA04280307A	螺帽 Nut (CT0238 M4-0.7*3)-----	2
3	4STB000103	接頭 Joint -----	1
4	8MB03200505A	螺椿 Stud (STB0104 M3-0.5*5)-----	1
5	4STB000105	活動刀座 Upper Movable Knife Base -----	1
6	8MB75180205A	螺絲 Screw (UTB0113 M2.5-0.45*3)-----	2
7	4STB000107	活動刀 Upper Movable Knife -----	1
8	4STB000108	滑道 Slide Block -----	2
9	4STB000109	滑道 Knife Guide -----	1
10	4STB000110	簧片 Thread Clamp Spring-----	1
11	8MA08400311A	螺帽 Nut (UTA0318)-----	1
12	4STB000112	氣缸座 Cylinder Holder -----	1
13	4STB000113	簧片 Knife Pressure Spring -----	1
14	4STB000114	固定刀片 Fixed Knife -----	1
15	8ME03200906A	螺絲 Screw (STB0115 M3-0.5*7)-----	2
16	8MN03200500A	螺絲 Screw (RP10331 M3-0.5*5)-----	1
17	8MP05320810A	螺絲 Screw (STB0117 M5-0.8*8)-----	2
18	2200000908	墊圈 Washer -----	2
19	8MC04280807A	螺絲 Screw (CT0120 M4-0.7*8)-----	2
20	4STB000120	氣壓缸 Cylinder-----	1
21	4STB000121	節流閥 Speed Controller -----	2
22	4STB020122	螺椿 Stud -----	-
23	4STB020123	支架 Knife Holder Bracket -----	1
24	4STB000124	支架 Knife Holder Bracket -----	-
25	2100000223	墊圈 Spring Washer -----	2
26	8MK04281007A	螺絲 Screw (FT0217 M4-0.7*10)-----	2
27	4STB020127	定位塊 Knock Block -----	1
28	4STB00A0127	氣壓缸組 Cylinder Asm.-----	1
29	8MB04280508A	螺絲 Screw (UTB20127 M4-0.7*5.5)-----	1
30	90DW040	碟形墊圈 Disk Washer -----	2
31	4STB030122	螺椿 Stud -----	-
32	4STD000124	支架 Knife Holder Bracket -----	-

STB02 (CT6500 / CT9000 / CT9711 機型用)

序號	22	24
用量	2	1

STB03 (CTD9000 / CTD9711 / CX2000 / CXD2000 / CXD2711 機型用)

序號	31	24
用量	2	1

STD (FT6500 / FT7000 機型用)

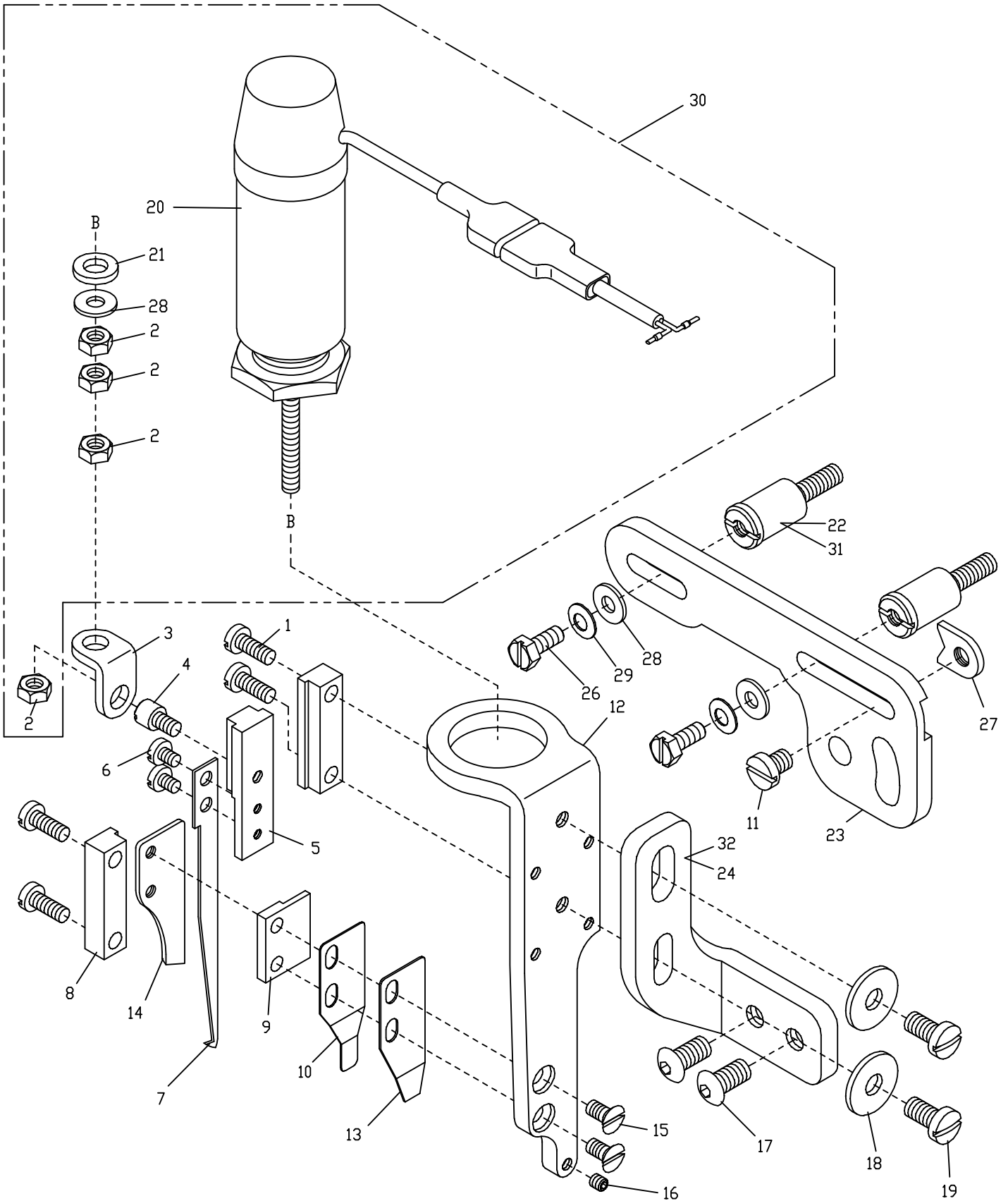
序號	22	32
用量	2	1

STD03 (FTD7000 機型用)

序號	31	32
用量	2	1

8. STC02 / STC03 / STE / STE03 上切線機構

Spreader Thread Trimmer Components For STC02 / STC03 / STE / STE03



8. STC02 / STC03 / STE / STE03 上切線機構

Spreader Thread Trimmer Components For STC02 / STC03 / STE / STE03

序號 Ref. No.	物料編號 Parts No.	名稱 Description	單位用量 Amt. Req.
1	8MB03200806K	螺絲 Screw (CT0623 M3-0.5*8)-----	4
2	8MA04280207A	螺帽 Nut (STC020102 M4-0.7*2.5)-----	4
3	4STB000103	接頭 Joint -----	1
4	8MB03200505A	螺樁 Stud (STB0104 M3-0.5*5) -----	1
5	4STB000105	活動刀座 Upper Movable Knife Base -----	1
6	8MB75180205A	螺絲 Screw (UTB0113 M2.5-0.45*2)-----	2
7	4STB000107	活動刀片 Upper Movable Knife -----	1
8	4STB000108	滑道 Slide Block -----	2
9	4STB000109	滑道 Knife Guide -----	1
10	4STB000110	簧片 Thread Clamp Spring -----	1
11	8MB04280508A	螺絲 Screw (UTB20127 M4-0.7*5.5)-----	1
12	4STC0001121	磁力線圈座 Solenoid Bracket -----	1
13	4STB000113	簧片 Knife Pressure Spring -----	1
14	4STB000114	固定刀片 Fixed Knife -----	1
15	8ME03200906A	螺絲 Screw (STB0115 M3-0.5*7) -----	2
16	8MN03200500A	螺絲 Screw (RP10331 M3-0.5*5)-----	1
17	8MP05320810A	螺絲 Screw (STB0117 M5-0.8*8) -----	2
18	2200000908	墊圈 Washer -----	2
19	8MC04280807A	螺絲 Screw (CT0120 M4-0.7*8)-----	2
20	4STC0201201	磁力線圈 Solenoid -----	1
21	4STC000121	減震墊 Rubber Cushion -----	1
22	4STB020122	螺樁 Stud -----	-
23	4STB020123	支架 Knife Holder Bracket -----	1
24	4STB000124	支架 Knife Holder Bracket -----	-
25	-----	-----	-
26	8MK04281007A	螺絲 Screw (FT0217 M4-0.7*10) -----	2
27	4STB020127	定位塊 Knock Block -----	1
28	2100000223	墊圈 Spring Washer -----	3
29	90DW040	碟形墊圈 Disk Washer -----	2
30	4STC02A0130	磁力線圈組 Solenoid Asm. -----	1
31	4STB030122	螺樁 Stud -----	-
32	4STD000124	支架 Knife Holder Bracket -----	-

STC02 (CT6500 / CT9000 / CT9711 機型用)

序號	22	24
用量	2	1

STC03 (CTD9000 / CTD9711 / CX2000 / CXD2000 / CXD2711 機型用)

序號	31	24
用量	2	1

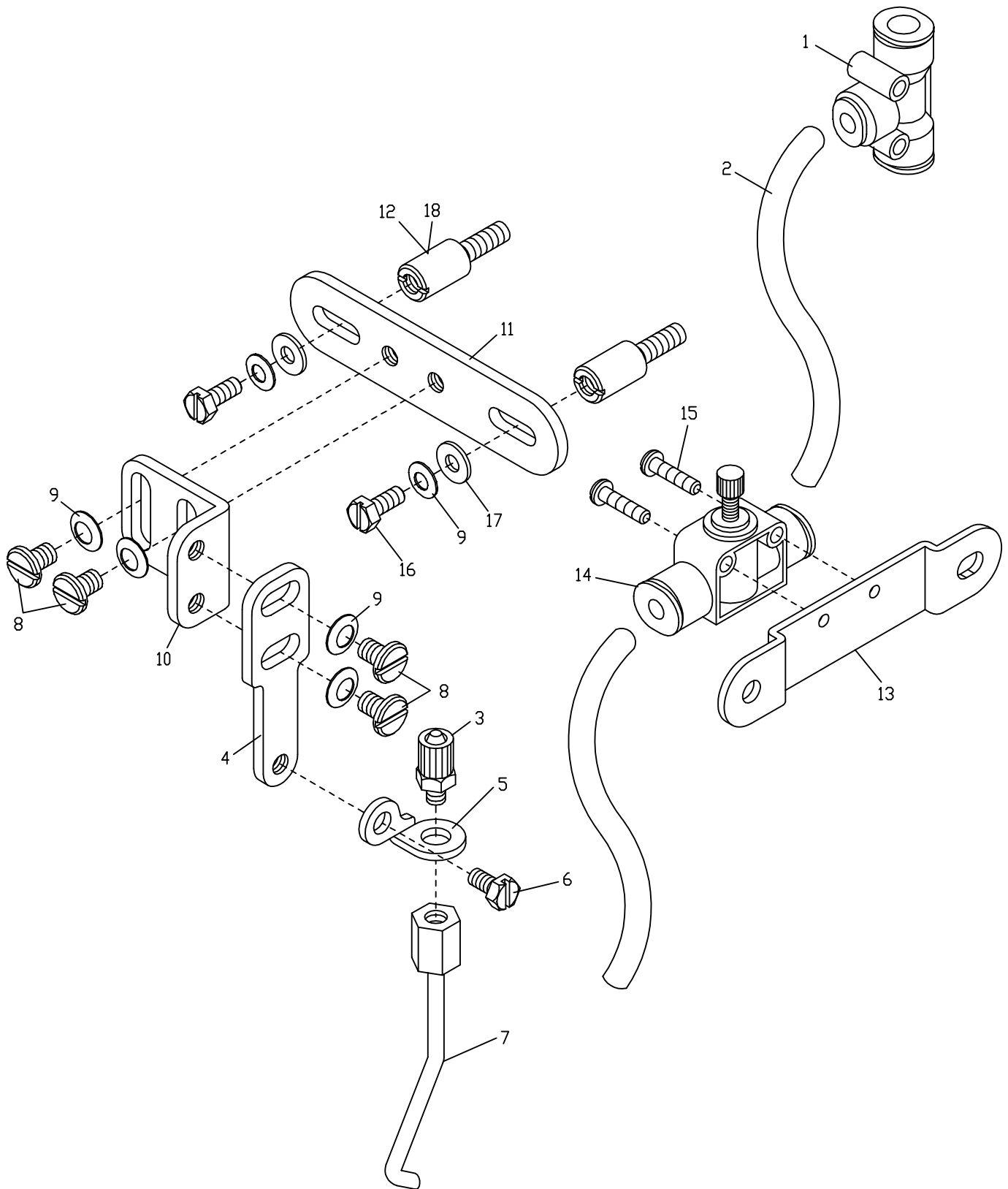
STE (FT6500 / FT7000 機型用)

序號	22	32
用量	2	1

STE03 (FTD7000 機型用)

序號	31	32
用量	2	1

9. WPC / WPC02 吹氣式撥線裝置 Air-Wipe Components



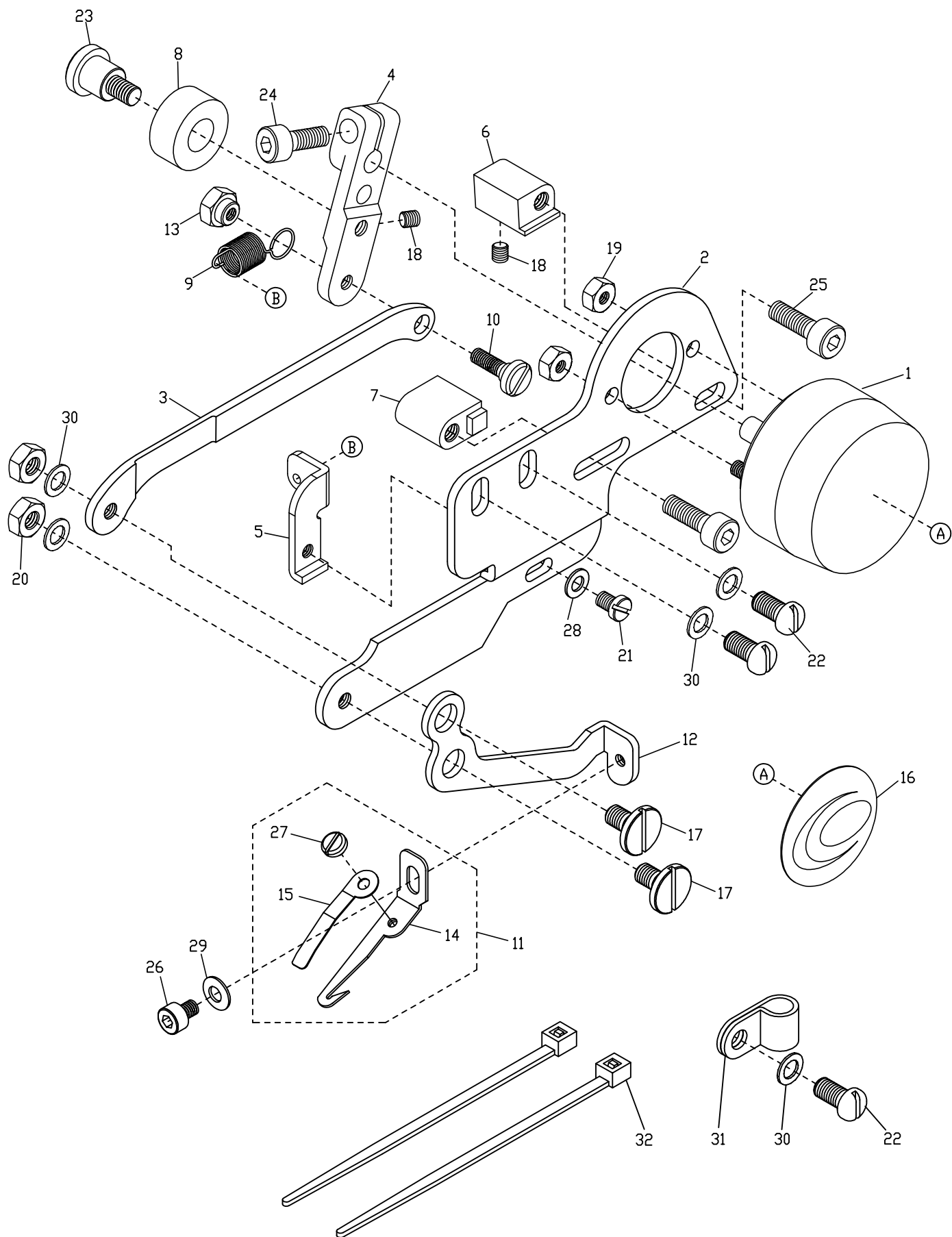
9.WPC / WPC02 吹氣式撥線裝置 Air-Wipe Components

序號 Ref. No.	物料編號 Parts No.	名稱 Description	單位用量 Amt.Req.
1	4WPC000101	T 型管接頭 T Connector -----	1
2	4WPC000102	空氣管 Air Tube -----	2
3	4WPC000103	接頭 Controller -----	1
4	4WPC000104	支持臂 Holder Arm -----	1
5	4WPC000105	支架 Holder Bracket -----	1
6	8MK04280507A	螺絲 Screw (WPC0106 M4-0.7*5) -----	1
7	4WPC000107	吹氣管 Blow Tube -----	1
8	8MB04280608A	螺絲 Screw (UTB0130 M4-0.7*6) -----	4
9	90DW040	皿型墊圈 Dick Washer -----	6
10	4WPC000110	基板座 Connecting Bracket -----	1
11	4WPC000111	支架 Knife Holder Bracket -----	1
*12	4STB020122	螺樁 Stud -----	2
13	4WPC0001131	支架 Holder Bracket -----	1
14	4WPC000114	節流閥 Speed Controller -----	1
15	8MC03201306D	螺絲 Screw (WPC0115 M3-0.5*12.5) -----	2
16	8MK04281007A	螺絲 Screw (FT0217 M4-0.7*10)-----	2
17	90PW040	墊圈 Spring Washer -----	2
**18	4STB030122	螺樁 Stud -----	2

* : WPC 用

** : WPC02 用 (CTD9000 / CTD9711 / FTD7000 / CX2000 / CXD2000 / CXM2000 / CXD2711機型)

10. WPG01 電控式撥線裝置 WPG01 Thread-Wipe Components



10. WPG01 電控式撥線裝置 WPG01 Thread-Wipe Components

序號 Ref.No.	物料編號 Parts No.	名稱 Description	單位用量 Amt. Req.
1	4WPG010101	磁力線圈 Wiper Solenoid -----	1
2	4WPG0101021	支架 Solenoid Support -----	1
3	4WPG0101032	連桿 Arm -----	1
4	4WPG010104	驅動臂 Driving Lever -----	1
5	4WPG010105	支架 Solenoid Support -----	1
6	4WPG010106	限動塊 Stop Block -----	1
7	4WPG010107	限動塊 Stop Block -----	1
8	4WPG010108	減震墊 Rubber cushion -----	1
9	4WPG010109	彈簧 Spring -----	1
10	4WPG010110	螺椿 Stud (WPG0110) -----	1
11	4WPG01A0111	抓線鉤組 Hook Asm -----	1
12	4WPG0101121	連桿 Arm -----	1
13	4WPG010113	螺帽 Nut -----	1
14	4WPG010114	抓線鉤 Hook -----	1
15	4WPG010115	夾簧 Latch Spring -----	1
16	66480-18	銘板 Plate -----	1
17	8MB04280810G	螺椿 Stud (WPG0117) -----	2
18	8MN03200300A	螺絲 Screw (CT0115 M3-0.5*3) -----	2
19	8MA03200306A	螺帽 Nut (FTB0111 M3-0.5*3) -----	2
20	8MA04280307A	螺帽 Nut (CT0238 M4-0.7*3) -----	2
21	8MB03200606K	螺絲 Screw (CT1207 M3-0.5*6) -----	1
22	8MB04280807K	螺絲 Screw (CT0215 M4-0.7*8) -----	3
23	8MB04281210E	螺椿 Stud (WPG0123) -----	1
24	8MM04281007A	螺絲 Screw (FT0203 M4-0.7*10) -----	1
25	8MM04281207A	螺絲 Screw (CT0202 M4-0.7*12) -----	2
26	8MM03200406A	螺絲 Screw (WPB0116 M3-0.5*4) -----	1
27	8SB24560205A	螺絲 Screw (SH1011 3/32"-56*2) -----	1
28	90PW030	墊圈 Washer -----	1
29	90DW030	碟形墊圈 Disk Washer -----	1
30	90DW040	碟形墊圈 Disk Washer -----	5
31	4UTD000254	線夾 Cord Clamp -----	1
32	4UTB020306	束線 Plastic Binding Wire -----	2